



The AP-200-MNT-W2 mounting kit supports 103 and 204/205 AP models. To ensure proper installation, refer to sections corresponding to the AP model.

Package Contents

- Mount Housing
- Mounting Bracket
- Drill Template
- RJ45 Cable Adapters (2)
- #6 Machine Screws (4)
- Pan Head Screws (2)
- T8 Torx Security Screw
- *AP-200-MNT-W2 Mounting Kit Installation Guide*

Introduction

The AP-200-MNT-W2 mounting kit provides a secure solution for mounting your AP to flat surfaces such as a wall or ceiling, and is also compatible with single and dual gang wall boxes. The mounting bracket can be rotated within the mount housing to accommodate both the 103 and 204/205 AP models.

Attaching the Mount Housing

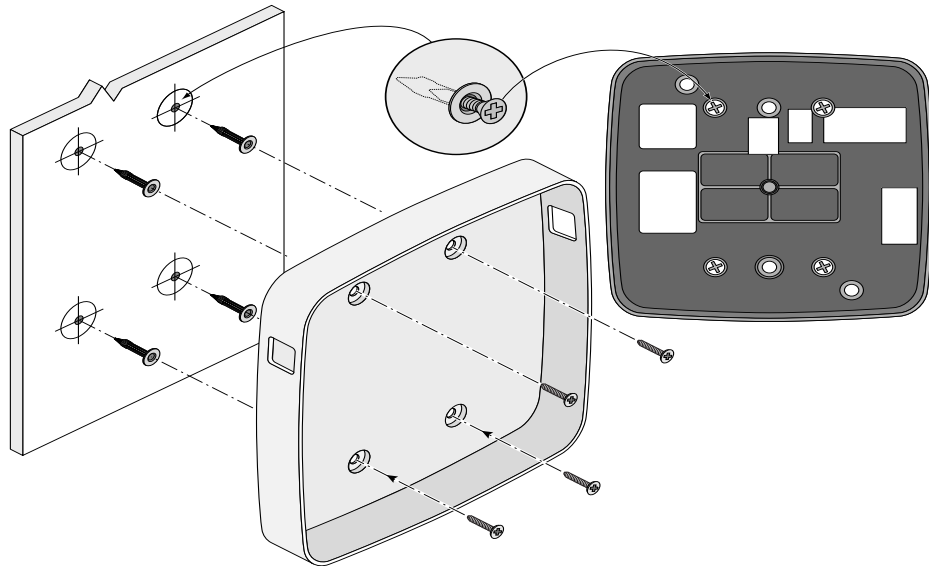


To install the mount housing onto a flat surface, refer to the “Installing the Mount Housing onto a Flat Surface” section. To install the mount housing onto a wall box, refer to the “Installing the Mount Housing onto a Wall Box” section.

Installing the Mount Housing onto a Flat Surface

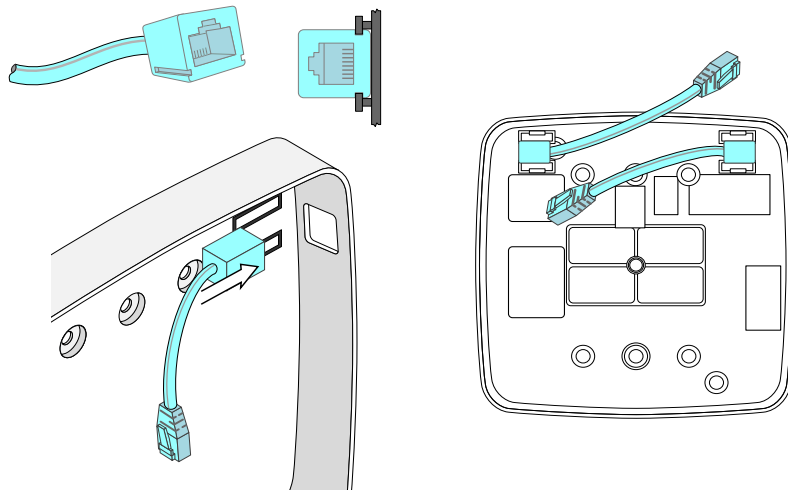
1. Tape the drill template to the desired location and drill holes at the points indicated.
2. Remove the template and position the housing flat, matching the holes with those on the housing and screw into place. Refer to [Figure 1](#).

Figure 1 *Securing Mount Housing to a Flat Surface*



3. (Optional) Remove the RJ45 cable adapters from their bag, match the female connectors to the tracks at the upper corners of the housing and slide until the cables lock into place. Refer to [Figure 2](#).

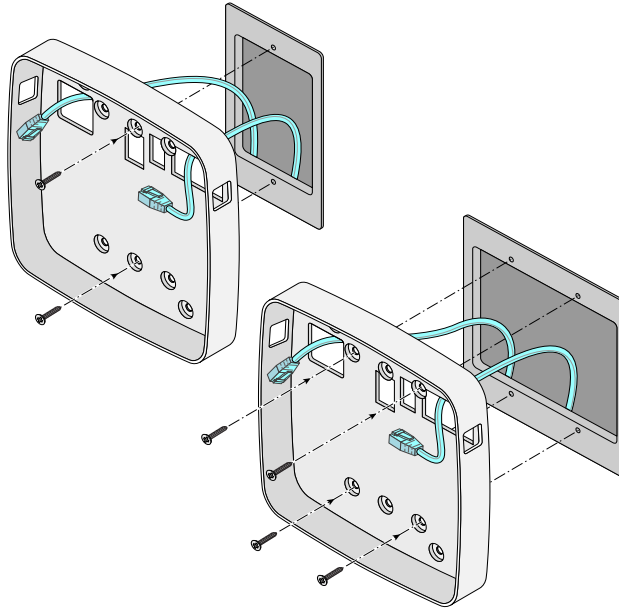
Figure 2 *Attaching Cable Adapters*



Installing the Mount Housing onto a Wall Box

1. Route Ethernet cable(s) from the wall box and through the back of the mount housing using the openings indicated in [Figure 3](#).

Figure 3 Aligning Mount Housing to Fit Single (Left) and Dual Gang (Right) Wall Boxes



If Ethernet cable(s) are routed directly from source, the RJ45 cable adapters will not be used.

2. Align the screw holes on the back of the mount housing with the corresponding holes on the wall box and screw into place. Depending on the specific type of wall box, the Pan Head screws provided may be used to install the mount housing.

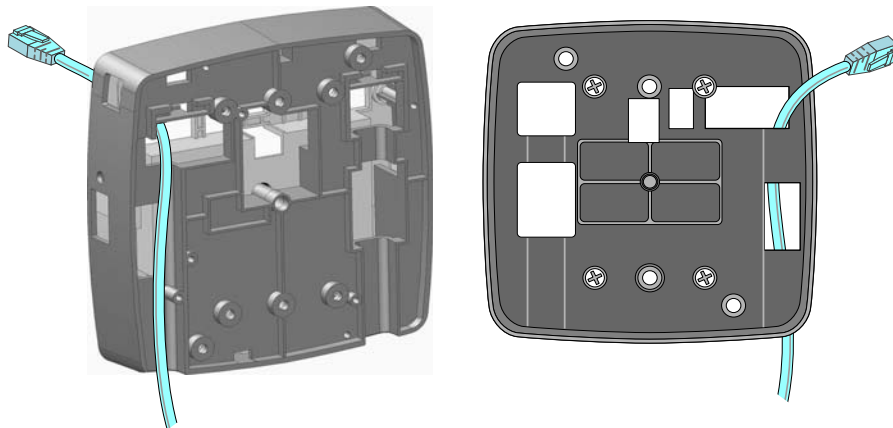
Installation for 103 AP Models



If Ethernet cable(s) are routed directly from a wall box skip Step 6.

1. Route the Ethernet cable through the bottom-right opening of the mount housing and guide through the upper-right opening at the back of the housing as shown in [Figure 4](#).

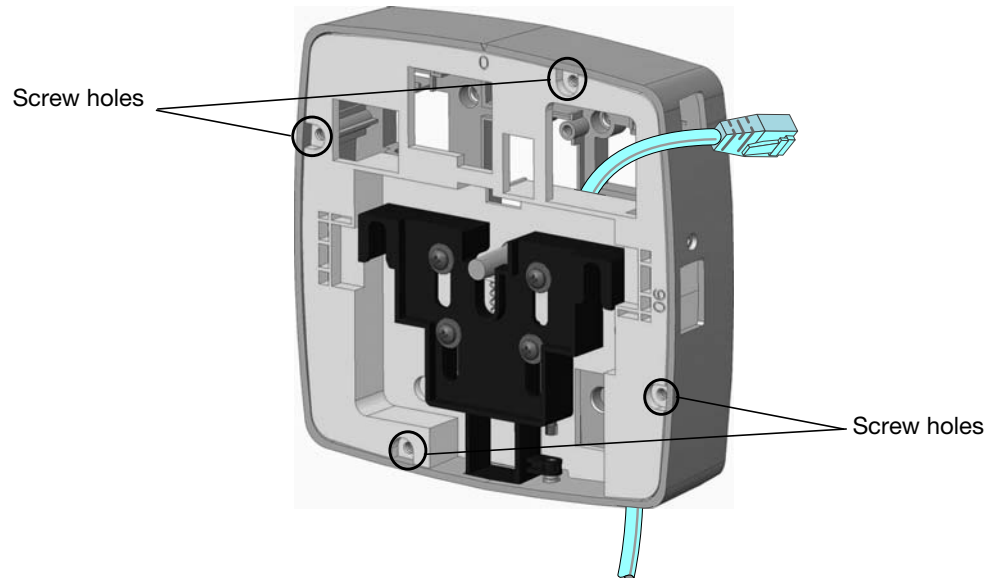
Figure 4 Routing Ethernet Cable through Mount Housing



If AP is supported by a DC power source, route power cable through the bottom-right opening of the housing.

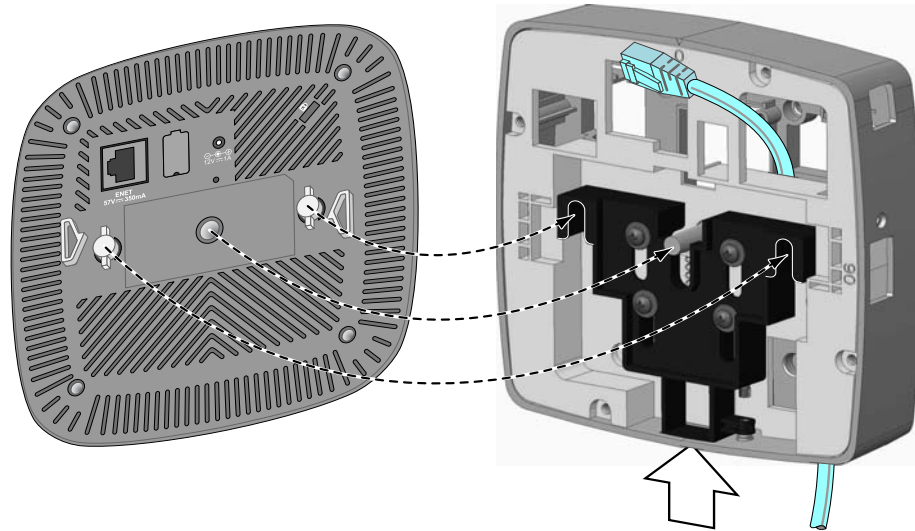
2. Insert the mounting bracket into the mount housing using the following steps:
 - a. Align the mounting bracket so that the button is oriented downward and route the Ethernet cable through the upper-right opening on the bracket. Refer to [Figure 5](#).

Figure 5 Inserting Mounting Bracket with Cable Routed



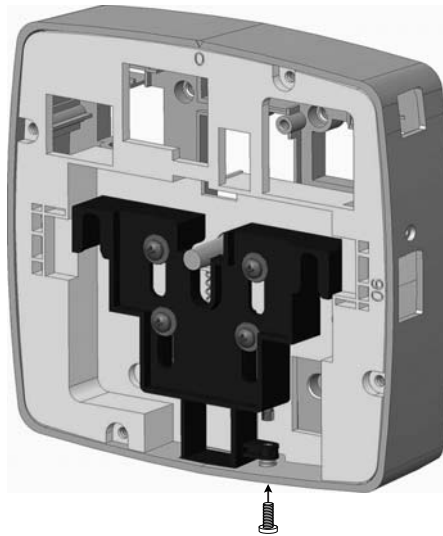
- b. (Optional) If you are using the cable adapters, route one cable end through the upper-right opening in the bracket, then place the unused cable in the space between the housing and mounting bracket.
 - c. Press the mounting bracket into the housing and secure it to the mount housing using the Pan Head screws provided.
3. Attach the AP mounting bracket using the following steps:
 - a. Plug the Ethernet cable (and power cord if applicable) into their corresponding ports on the back of the AP.
 - b. Align the AP so that the mounting pins on the back panel match the position of the slots on the mounting bracket as shown in [Figure 6](#).
 - c. Press the button at the bottom of the mount kit and slide the AP onto the mounting bracket, then release the button to fasten the AP into place.

Figure 6 Attaching AP onto Mount



- d. (Optional) If you are using the RJ45 cable adapters, plug in the Ethernet cable into the active port on the side of the mount.
4. Insert the T8 Torx Security Screw into the hole at the bottom of the mount, next to the release button and tighten. Refer to [Figure 7](#).

Figure 7 Installing T8 Torx Security Screw



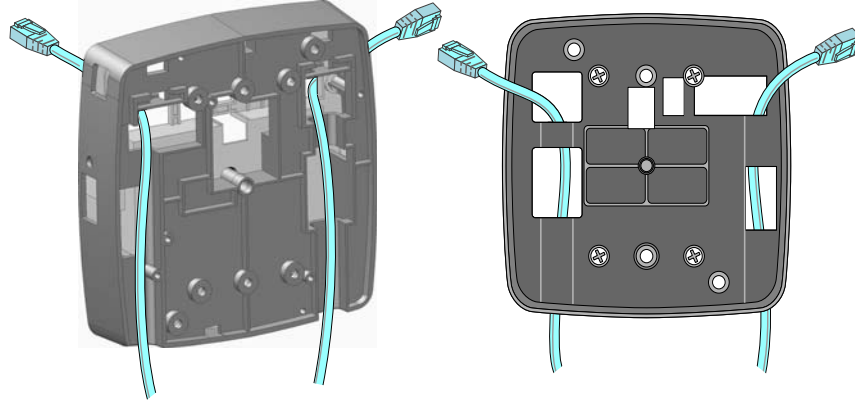
Installation for 204/205 AP Models



If Ethernet cable(s) are routed directly from a wall box skip the following step.

1. Route the Ethernet cables through the bottom openings of the housing and guide through the upper openings on the back of the housing. Refer to [Figure 8](#).

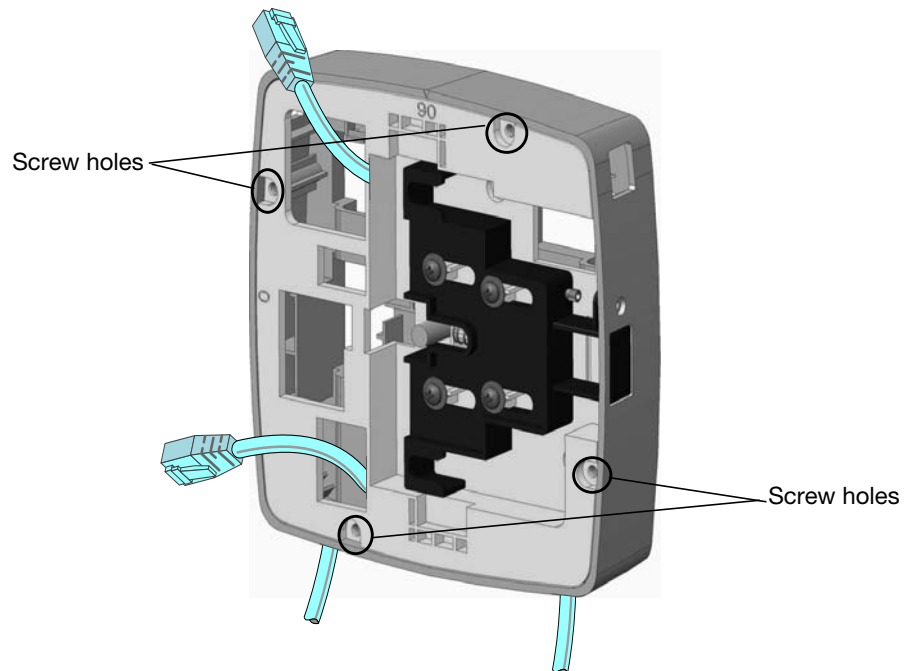
Figure 8 Routing Cables through Mount Housing



If your AP is supported by a DC power source, route power cable through the bottom-left opening of the housing.

2. Insert the mounting bracket into the mount housing using the following steps:
 - a. Plug the Ethernet cables (and power cord if applicable) into their corresponding ports on the back of the AP.

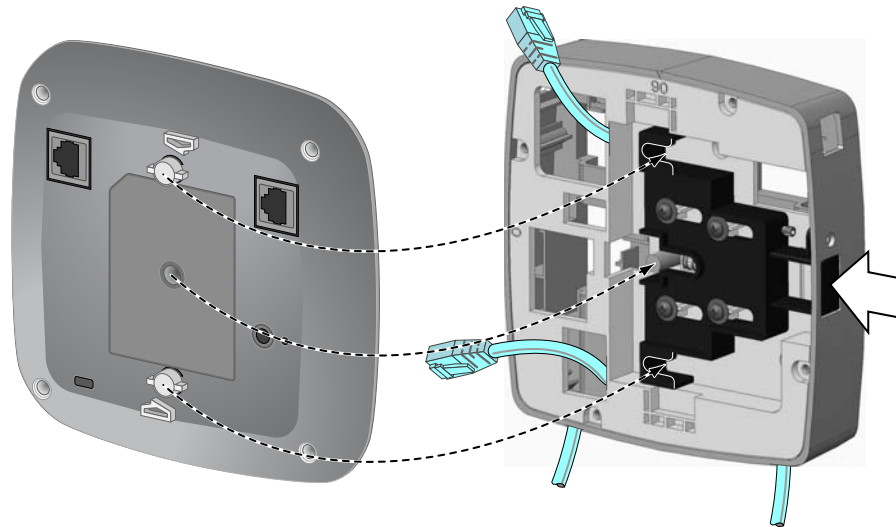
Figure 9 Inserting the Mounting Bracket with Cables Routed



- b. Align the mounting bracket so that the button is oriented to the right and route the ends of the cables through the corresponding openings on the bracket as shown in [Figure 9](#).
 - c. Press the mounting bracket into the housing and secure the bracket to the mount housing using the Pan Head screws provided.
 - d. (Optional) If you are using the cable adapters, route cable ends through the upper openings of the bracket.
3. Attach the AP to the mounting bracket using the following steps:
 - a. Plug the Ethernet cables (and power cord if applicable) into their corresponding ports on the back of the AP.

- b. Align the AP so that the mounting pins on the back panel match the position of the slots on the mounting bracket.
- c. Press the button on the right side of the mount and slide the AP onto the mounting bracket, then release the button to fasten the AP into place, as shown in [Figure 10](#).

Figure 10 *Securing AP onto Mount*



- d. (Optional) If you are using the cable adapters, plug in the Ethernet cable into the active ports on the side of the mount.
4. Insert the T8 Torx Security Screw into the screw hole at the side of the mount, next to the release button and tighten. Refer to [Figure 7](#).

